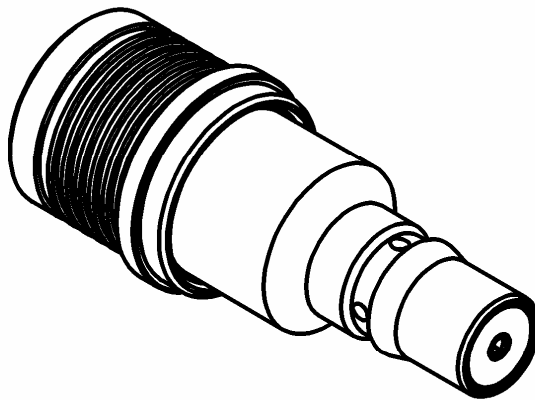
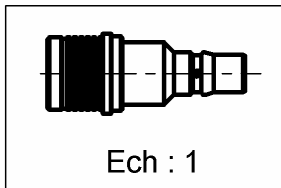
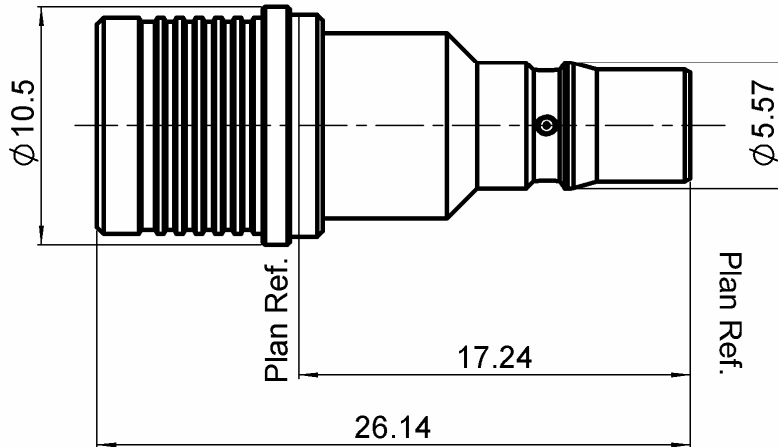


**6 GHZ 1W 13 DB QMA ATTENUATOR**

**R411.713.124**

Series :  
**ATTENUATEUR**



All dimensions are in mm.

COMPONENTS	MATERIALS	PLATING(μm)
<b>BODY</b>	<b>BRASS</b>	<b>BBR 2</b>
<b>MALE CENTER CONTACT</b>	<b>BRASS</b>	<b>GOLD 1.3 OVER COPPER 2.5</b>
<b>FEMALE CENTER CONTACT</b>	<b>BERYLLIUM COPPER</b>	<b>GOLD 1.3 OVER COPPER 2.5</b>
<b>OUTER CONTACT</b>	<b>BRASS</b>	<b>BBR 2</b>
<b>INSULATOR</b>	<b>PTFE</b>	
<b>GASKET</b>		
<b>SUBSTRATE</b>	<b>ALUMINA</b>	
<b>RESISTOR</b>	<b>THICK FILM</b>	
<b>OTHERS PARTS</b>		

Issue : 0915 C

In the effort to improve our products, we reserve the right to make changes judged to be necessary.



**6 GHZ 1W 13 DB QMA ATTENUATOR****R411.713.124**Series :  
**ATTENUATEUR****ELECTRICAL CHARACTERISTICS**

Frequency (GHz)	2	2 - 6
V.S.W.R ( $\leq$ )	1.20	1.30
Deviation( $\pm$ dB)	0.50	0.50

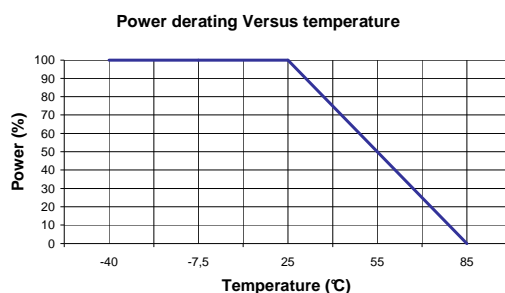
Operating Frequency Range		GHz
Impedance	50	$\Omega$
Nominal Attenuation	13	dB
Peak power at 25°C (1 $\mu$ s, 1%)	100	W
Average power at 25°C	1	W (Free Air Cooled)
		W (Conduction Cooled)

**MECHANICAL CHARACTERISTICS**

Connectors            QMA  
Weight                6,2620 g

**ENVIRONMENTAL CHARACTERISTICS**

Operating temperature range	-40 / +85 °C
Storage temperature range	-40 / +85 °C

**SPECIFICATION****OTHER CHARACTERISTICS****Issue : 0915 C**

In the effort to improve our products, we reserve the right to make changes judged to be necessary.

**RADIALL** 